



Table of Contents

Rolling Thunder Game PCB Schematic Diagram	Sheets 1B-2B
Rolling Thunder Sub PCB Assembly Schematic Diagram	Sheet 3A
End PCB Assembly Schematic Diagram	Sheet 3B
Switching/Linear (SL) Power Supply Wiring Diagram	Sheet 4A
Astec 5V/12V Switching Power Supply Wiring Diagram	Sheet 4A
Rolling Thunder Game Wiring Diagram	Sheet 4B
Coin Door Wiring Diagram	Sheet 5A

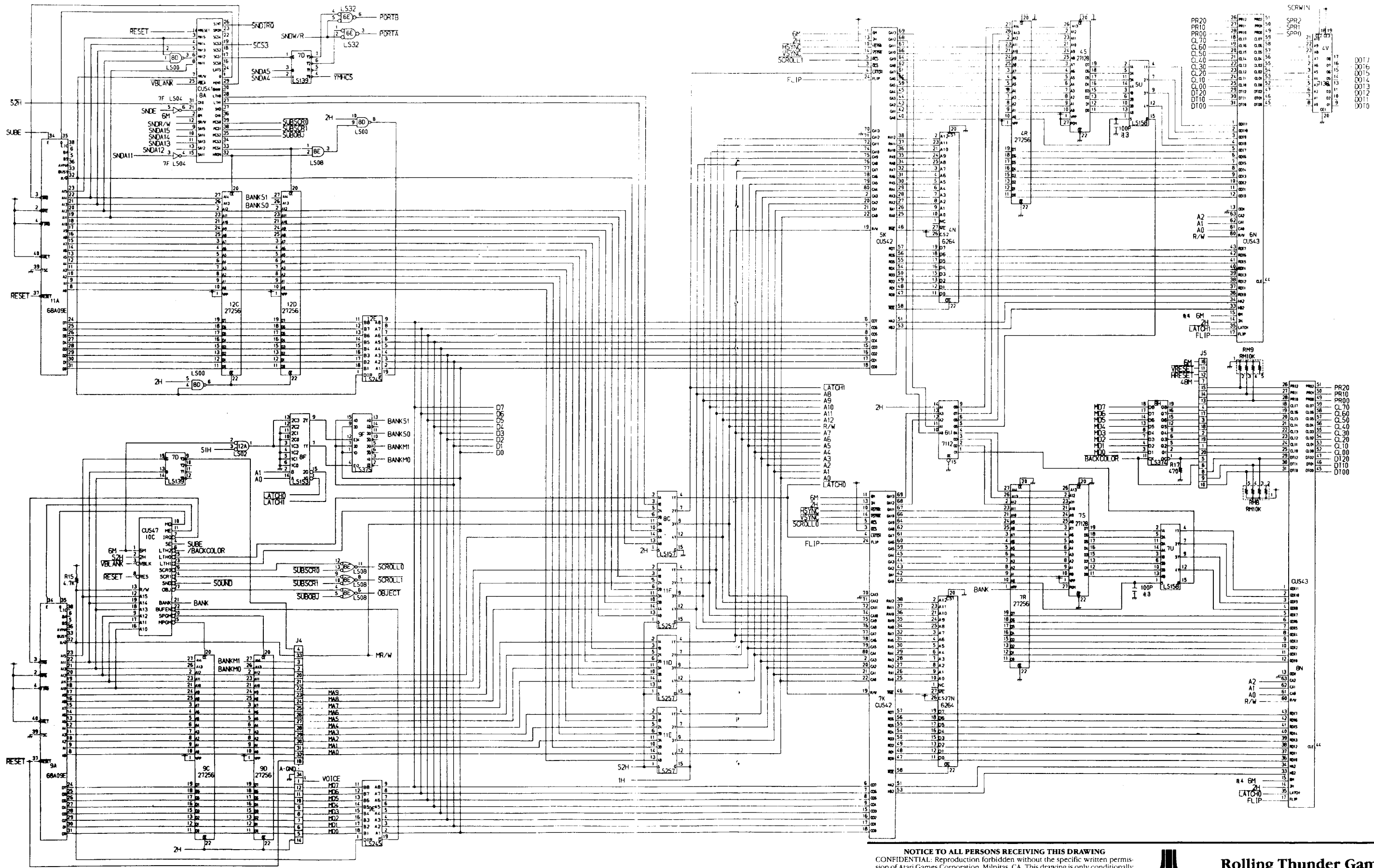
Schematic Package Supplement

to the Rolling Thunder Operators Manual

NOTE
This staple temporarily holds the schematic package together. Remove the staple before using these schematics.



*Rolling Thunder is engineered and designed by Namco Ltd.
Manufactured by Atari Games. Trademark and © Namco 1986.
© 1987 Atari Games Corporation. All rights reserved.



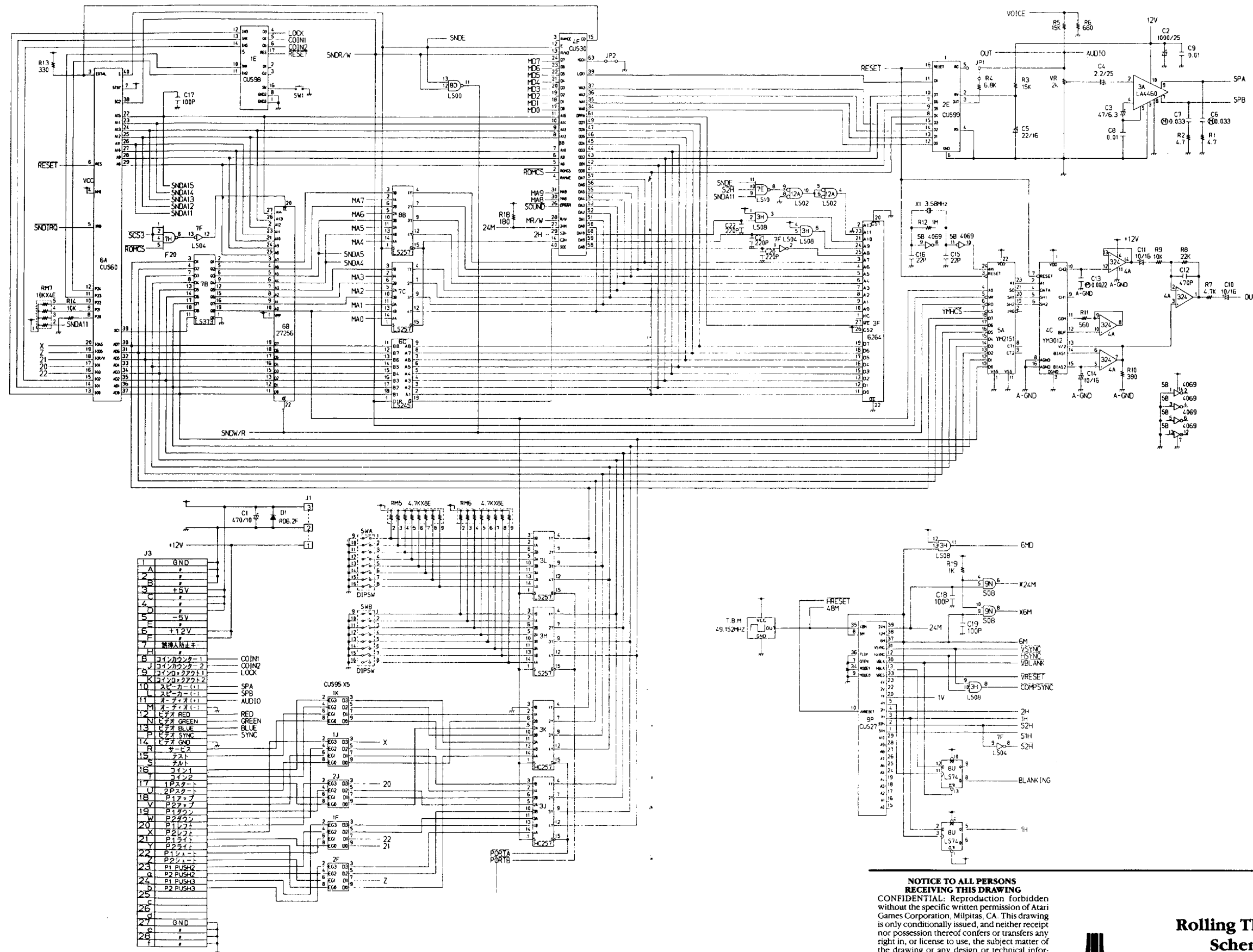
NOTICE TO ALL PERSONS RECEIVING THIS DRAWING
 CONFIDENTIAL: Reproduction forbidden without the specific written permission of Atari Games Corporation, Milpitas, CA. This drawing is only conditionally issued, and neither receipt nor possession thereof confers or transfers any right in, or license to use, the subject matter of the drawing or any design or technical information shown thereon, nor any right to reproduce this drawing or any part thereof. Except for manufacture by vendors of Atari Games Corporation, and for manufacture under the corporation's written license, no right is granted to reproduce this drawing or the subject matter thereof, unless by written agreement with or written permission from the corporation.



**Rolling Thunder Game PCB
 Schematic Diagram**

SP-300 Sheet 1B
 1st printing

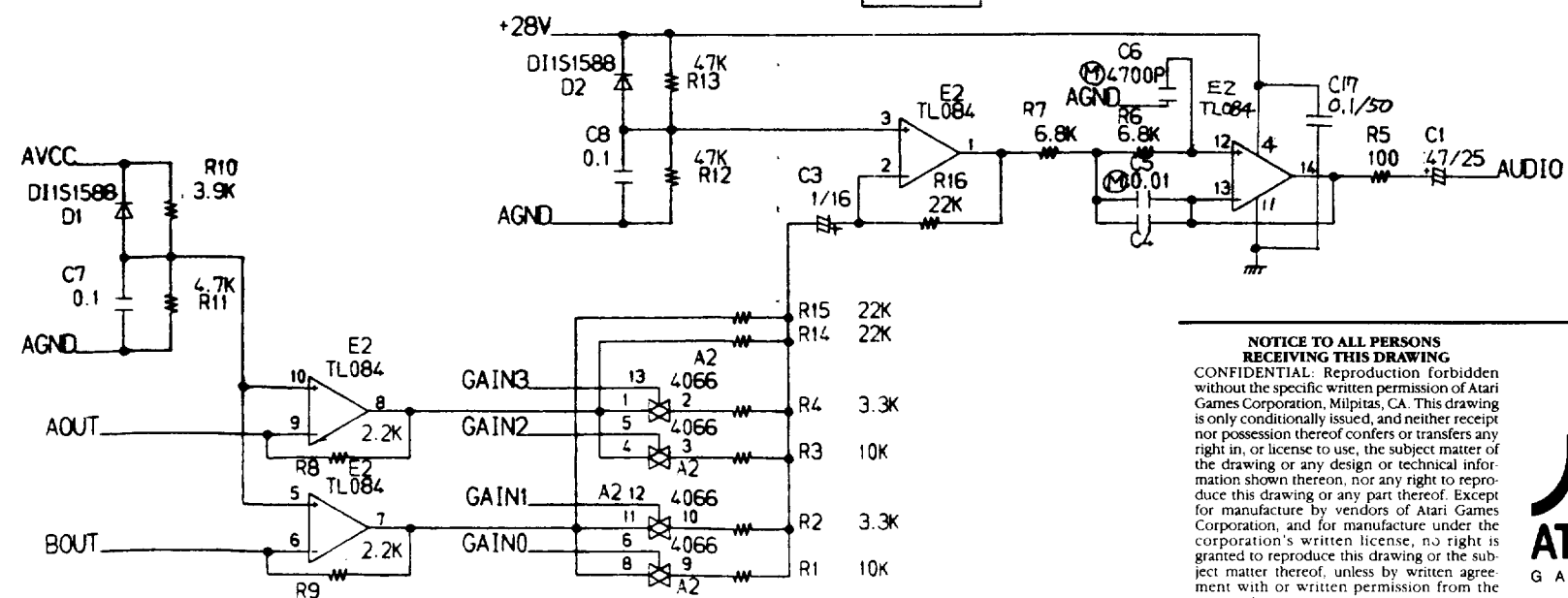
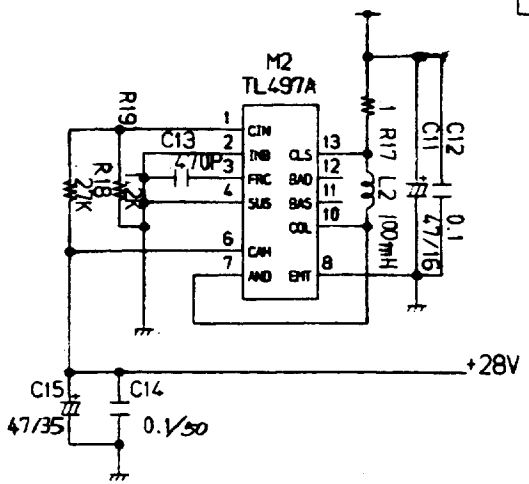
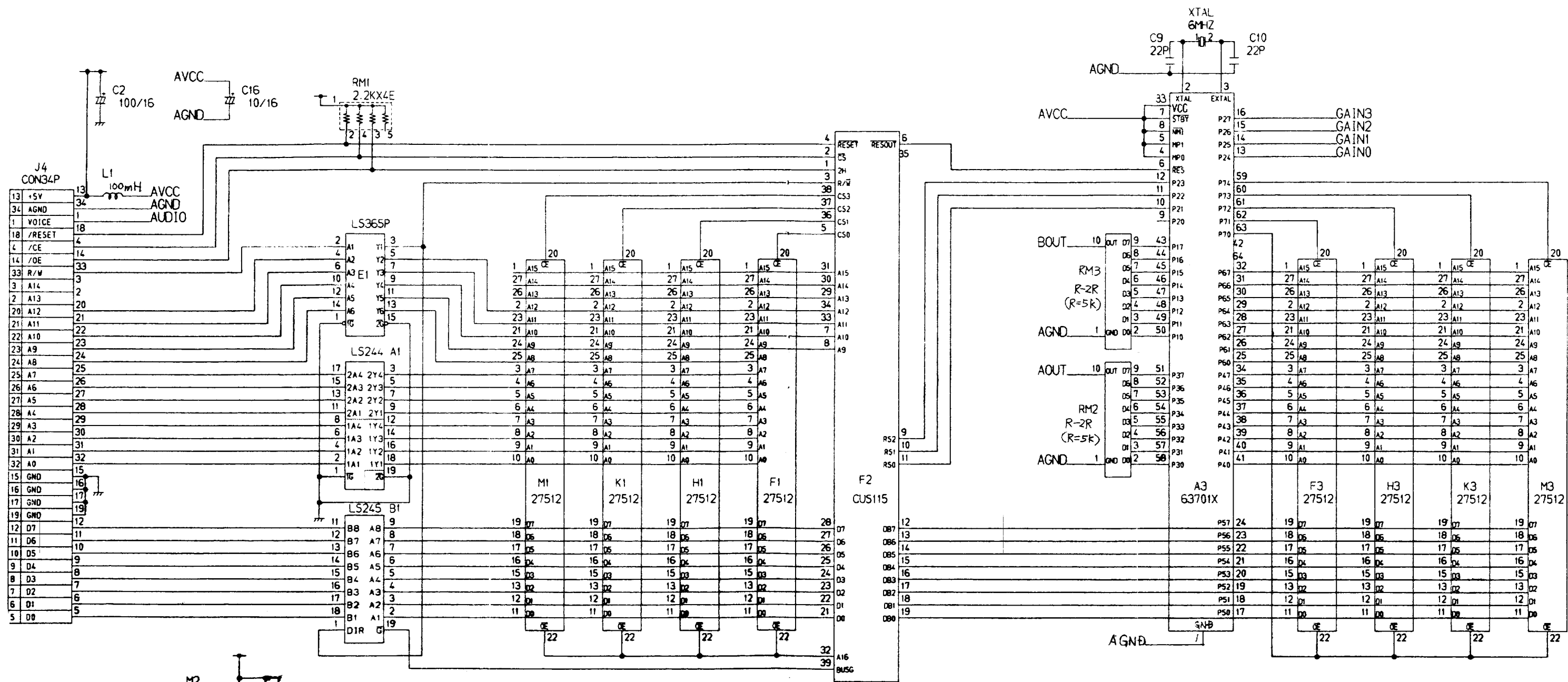
© 1987 Atari Games Corporation



NOTICE TO ALL PERSONS RECEIVING THIS DRAWING
 CONFIDENTIAL: Reproduction forbidden without the specific written permission of Atari Games Corporation, Milpitas, CA. This drawing is only conditionally issued, and neither receipt nor possession thereof confers or transfers any right in, or license to use, the subject matter of the drawing or any design or technical information shown thereon, nor any right to reproduce this drawing or any part thereof. Except for manufacture by vendors of Atari Games Corporation, and for manufacture under the corporation's written license, no right is granted to reproduce this drawing or the subject matter thereof, unless by written agreement with or written permission from the corporation.



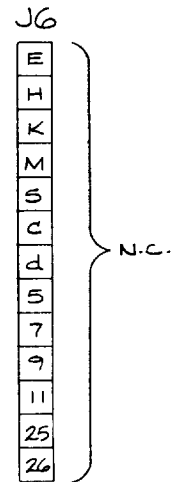
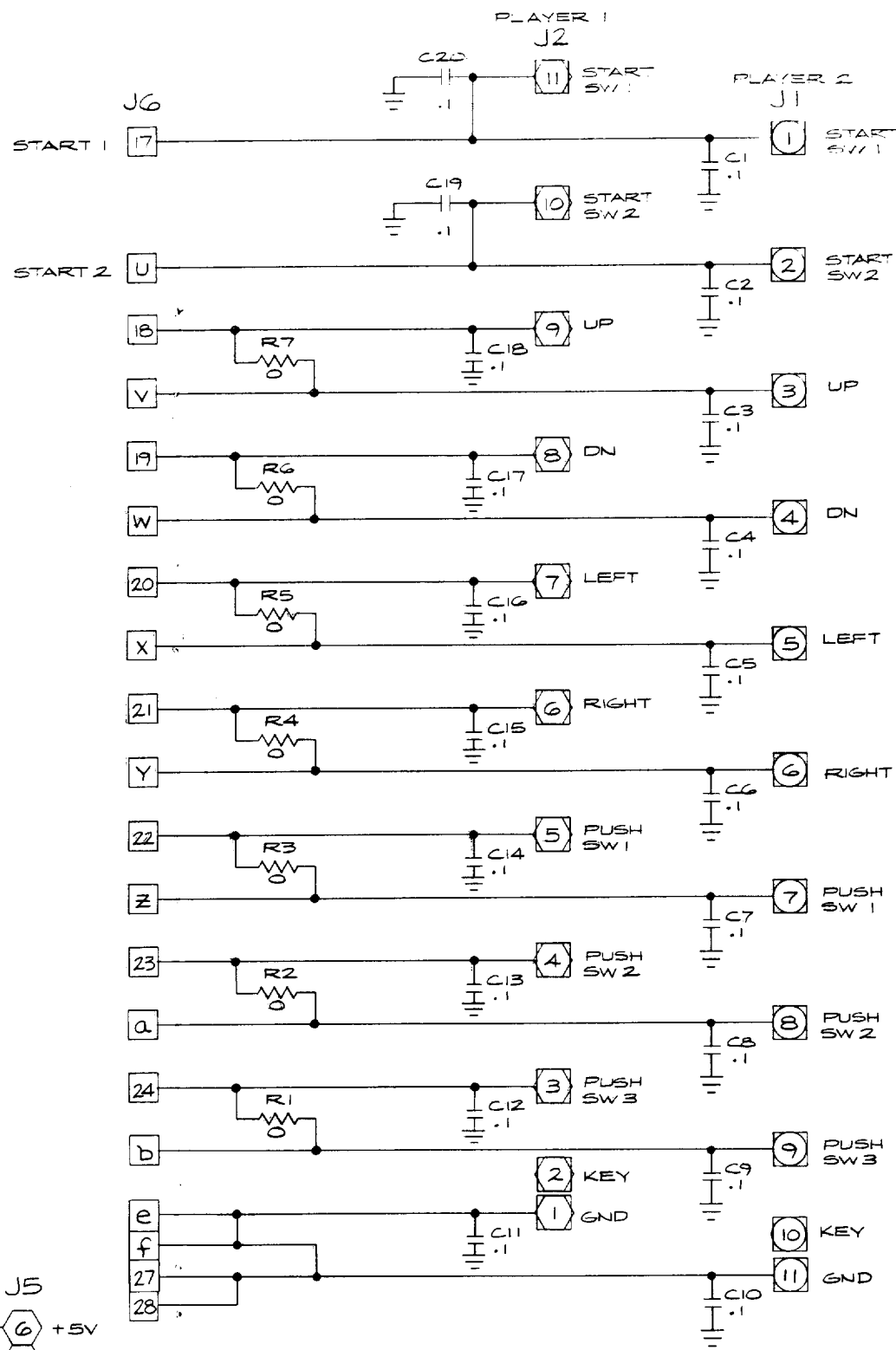
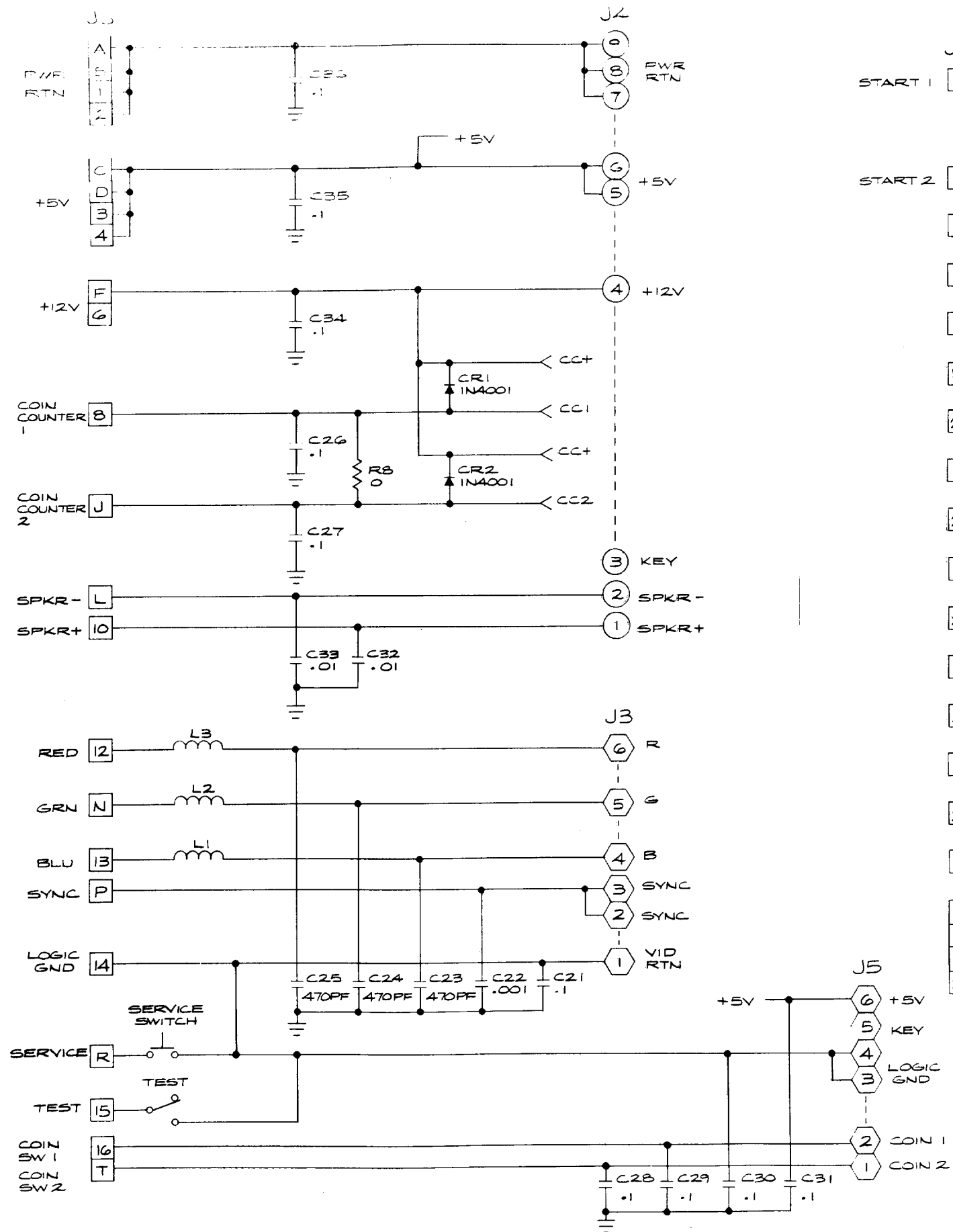
Rolling Thunder Game PCB Schematic Diagram



NOTICE TO ALL PERSONS RECEIVING THIS DRAWING
 CONFIDENTIAL: Reproduction forbidden without the specific written permission of Atari Games Corporation, Milpitas, CA. This drawing is only conditionally issued, and neither receipt nor possession thereof confers or transfers any right in, or license to use, the subject matter of the drawing or any design or technical information shown thereon, nor any right to reproduce this drawing or any part thereof. Except for manufacture by vendors of Atari Games Corporation, and for manufacture under the corporation's written license, no right is granted to reproduce this drawing or the subject matter thereof, unless by written agreement with or written permission from the corporation.



Rolling Thunder Sub PCB Assembly Schematic Diagram



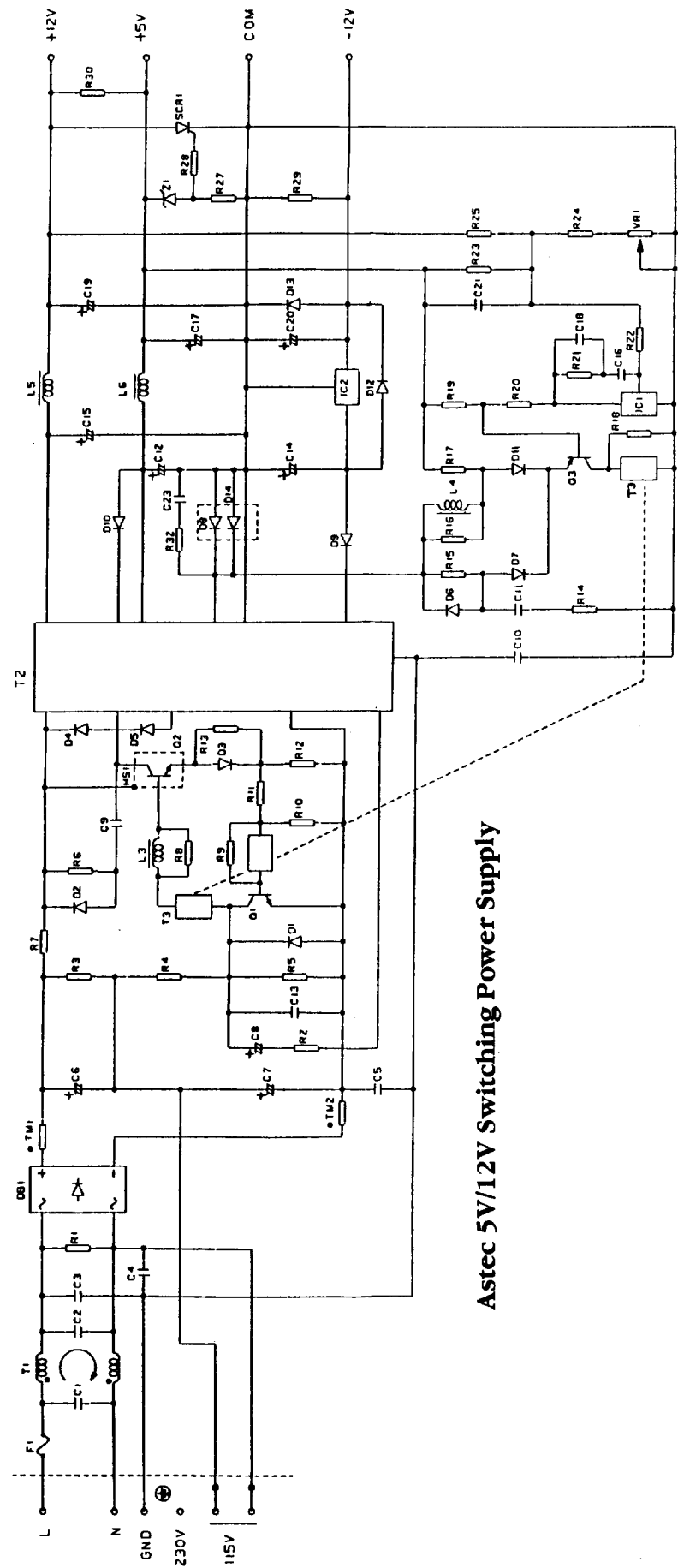
NOTICE TO ALL PERSONS RECEIVING THIS DRAWING
 CONFIDENTIAL: Reproduction forbidden without the specific written permission of Atari Games Corporation, Milpitas, CA. This drawing is only conditionally issued, and neither receipt nor possession thereof confers or transfers any right in, or license to use, the subject matter of the drawing or any design or technical information shown thereon, nor any right to reproduce this drawing or any part thereof. Except for manufacture by vendors of Atari Games Corporation, and for manufacture under the corporation's written license, no right is granted to reproduce this drawing or the subject matter thereof, unless by written agreement with or written permission from the corporation.



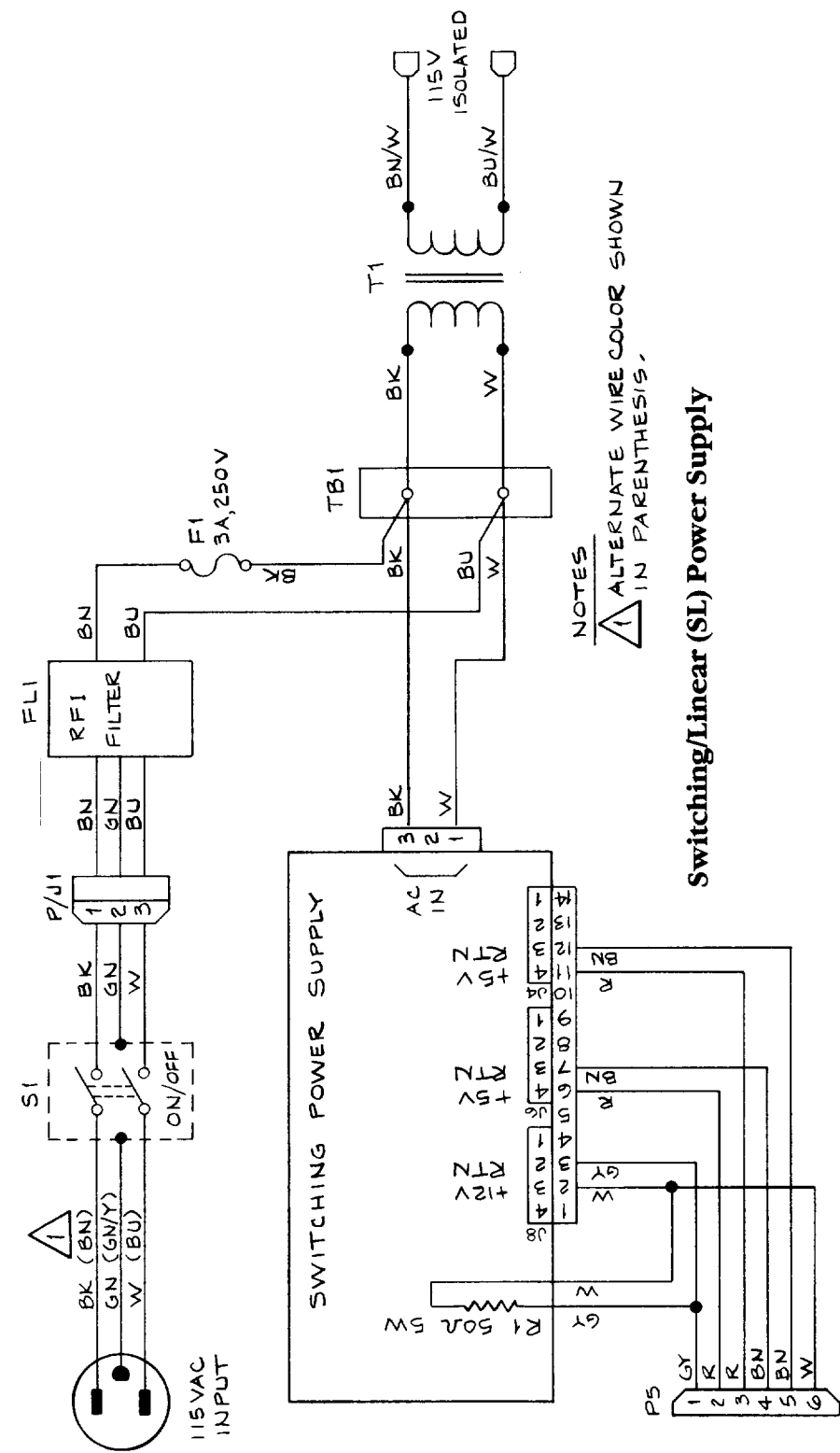
End PCB Assembly Schematic Diagram

© 1987 Atari Games Corporation

SP-300 Sheet 3B
 1st printing



Astec 5V/12V Switching Power Supply



NOTES
 ⚠ ALTERNATE WIRE COLOR SHOWN
 IN PARENTHESIS.

Switching/Linear (SL) Power Supply

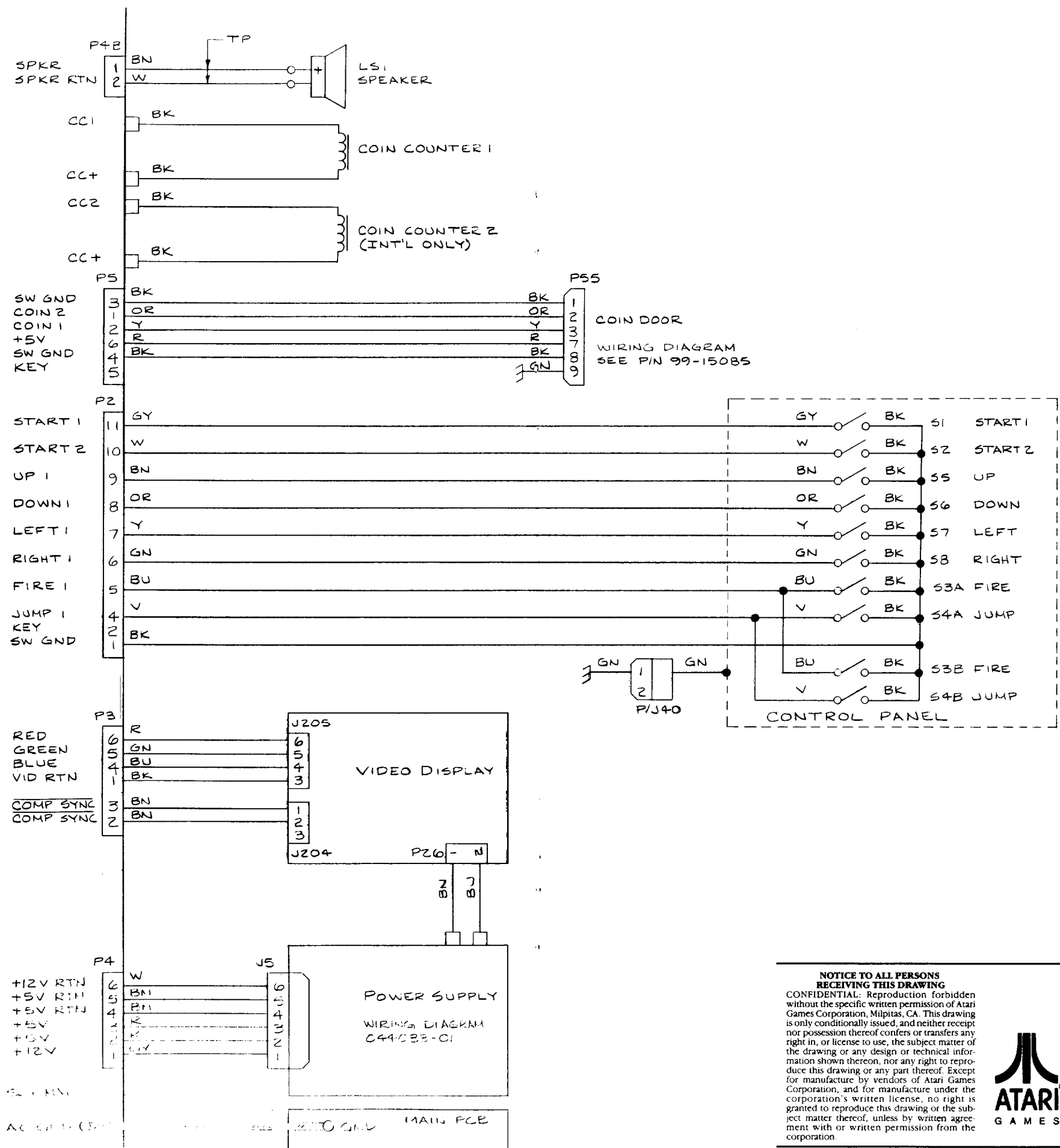
NOTICE TO ALL PERSONS RECEIVING THIS DRAWING
 CONFIDENTIAL: Reproduction forbidden without the specific written permission of Atari Games Corporation, Milpitas, CA. This drawing is only conditionally issued, and neither receipt nor possession thereof confers or transfers any right in, or license to use, the subject matter of the drawing or any design or technical information shown thereon, nor any right to reproduce this drawing or any part thereof. Except for manufacture by vendors of Atari Games Corporation, and for manufacture under the corporation's written license, no right is granted to reproduce this drawing or the subject matter thereof, unless by written agreement with or written permission from the corporation.



Switching/Linear (SL) and Astec 5V/12V Switching Power Supply Wiring Diagrams

© 1987 Atari Games Corporation

SP-300 Sheet 4A
 1st printing

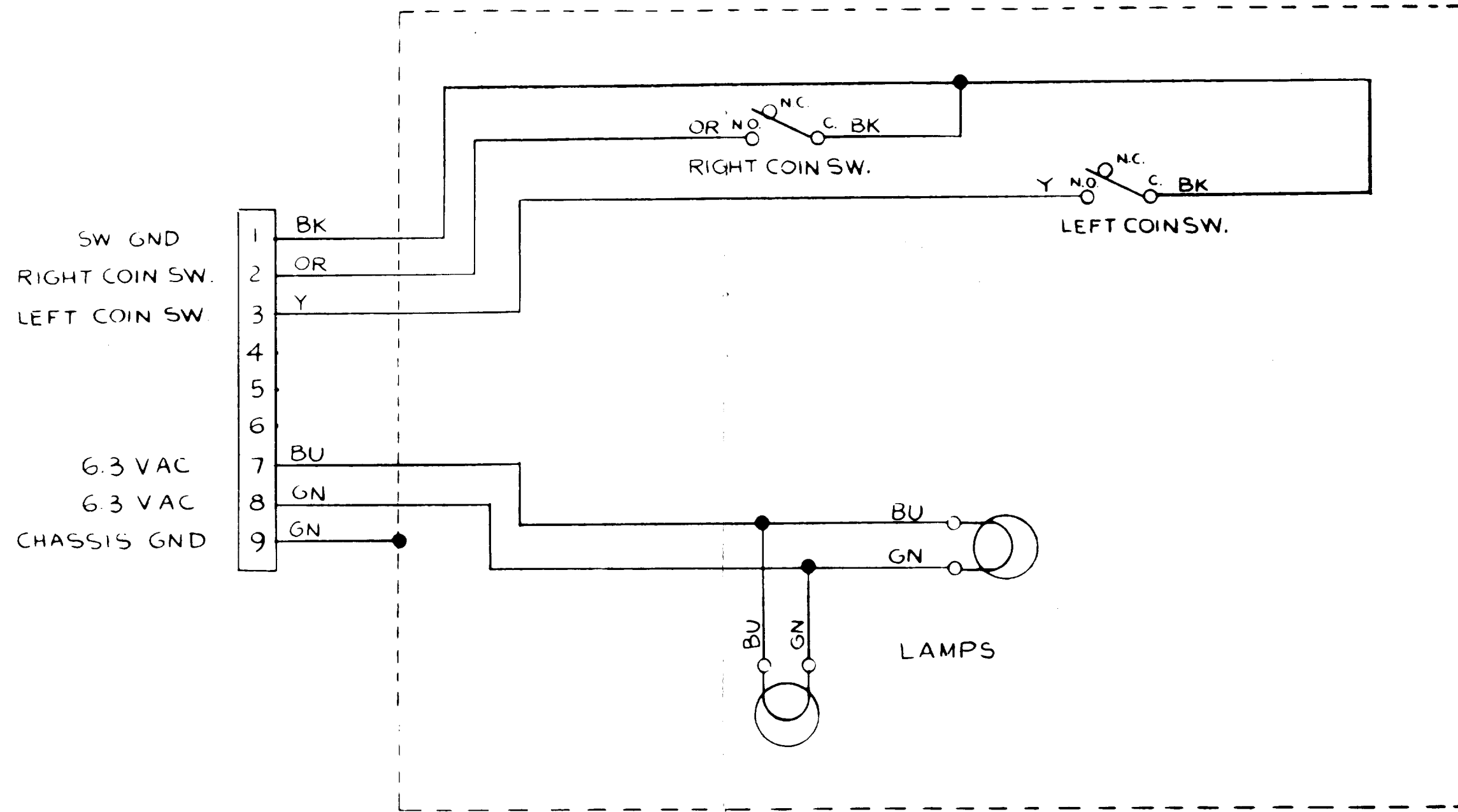


END B. ACT
 C44-033-C1

NOTICE TO ALL PERSONS RECEIVING THIS DRAWING
 CONFIDENTIAL: Reproduction forbidden without the specific written permission of Atari Games Corporation, Milpitas, CA. This drawing is only conditionally issued, and neither receipt nor possession thereof confers or transfers any right in, or license to use, the subject matter of the drawing or any design or technical information shown thereon, nor any right to reproduce this drawing or any part thereof. Except for manufacture by vendors of Atari Games Corporation, and for manufacture under the corporation's written license, no right is granted to reproduce this drawing or the subject matter thereof, unless by written agreement with or written permission from the corporation.



**Rolling Thunder
 Game Wiring Diagram**



NOTICE TO ALL PERSONS RECEIVING THIS DRAWING

CONFIDENTIAL: Reproduction forbidden without the specific written permission of Atari Games Corporation, Milpitas, CA. This drawing is only conditionally issued, and neither receipt nor possession thereof confers or transfers any right in, or license to use, the subject matter of the drawing or any design or technical information shown thereon, nor any right to reproduce this drawing or any part thereof. Except for manufacture by vendors of Atari Games Corporation, and for manufacture under the corporation's written license, no right is granted to reproduce this drawing or the subject matter thereof, unless by written agreement with or written permission from the corporation.



Coin Door Wiring Diagram

© 1987 Atari Games Corporation

SP-300 Sheet 5A
1st printing